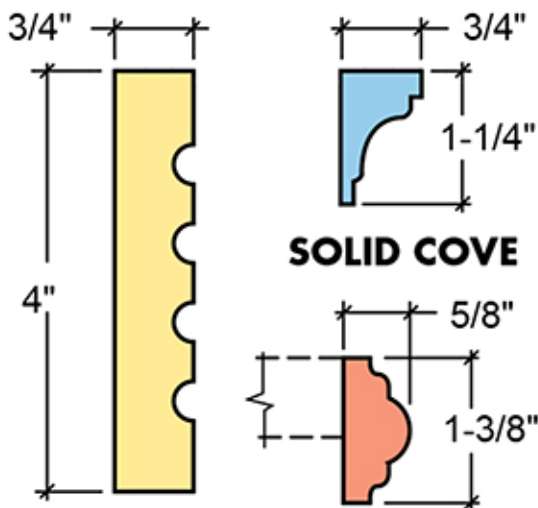


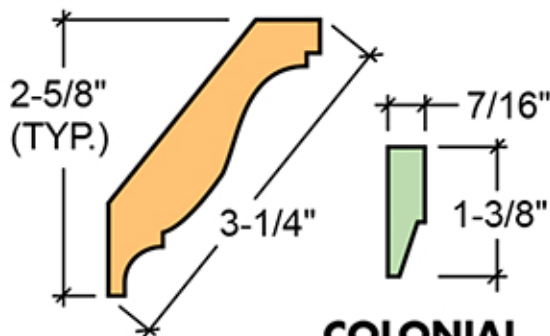
## Fig. A Casings and moldings



**FLUTED  
CASING**

**SOLID COVE**

**SHELF  
MOLDING**



**CROWN**

**COLONIAL  
STOP**